

## Return to School at Fruitvale, updated and clarified



@SIOUXSIEW @XTOTL thespinoff.co.nz



CC-BY-SA

Thank-you to parents who have sent in questions and asked for clarifications.

Firstly, we want everyone to be safe and well. Everyone, includes staff, children and you, the community of Fruitvale School.

We are at L2 of four levels.

While I understand your concern about sending your children back to school post COVID L3, I believe it will be safe. Indeed if it wasn't safe the government would not be allowing schools to open.

They have proved trustworthy with the way they have staged the country's COVID response this far so I have no reason to believe that they would want to endanger anyone, particularly the nation's children at this stage.

We will not be providing online learning as well as classroom learning.

We are expected to teach the full curriculum.

Teaching the full curriculum doesn't look like the online learning that your children have been experiencing. The online learning was a scaled down version that could be conducted without full teacher support.

I will not be expecting teachers to run a classroom and an online service.

I hope this is clear.

Having said that, I understand that some of you will be hesitant about sending your children to school when the world is still in the grip of this virus. That is your decision and it will be respected, however the **Ministry is requiring children to attend school. Unless: they are sick or they have been exposed to someone with COVID in the past seven days.**

To safeguard all children, staff and you the community we will be doing these things:

1. We have deep cleaned the school prior to your return. No Fogging was used.
2. All children will arrive please via the Fruitvale Road drive and will be met at the three gates off the drive and one off Northall park, by a staff member

Drop offs and pick-ups are a stressful part of the school day. Please be patient, if it is done properly, protection of all staff and your children will be the result.

There will be four gates operating. The three at the top of the drive and the one off the walkway around Northall park. A staff member will meet your children here.

To make this easier, we would like children in Y3-6 to arrive prior to 8:45 and Children Y1 and 2 to arrive between 8:45 and 9:00am

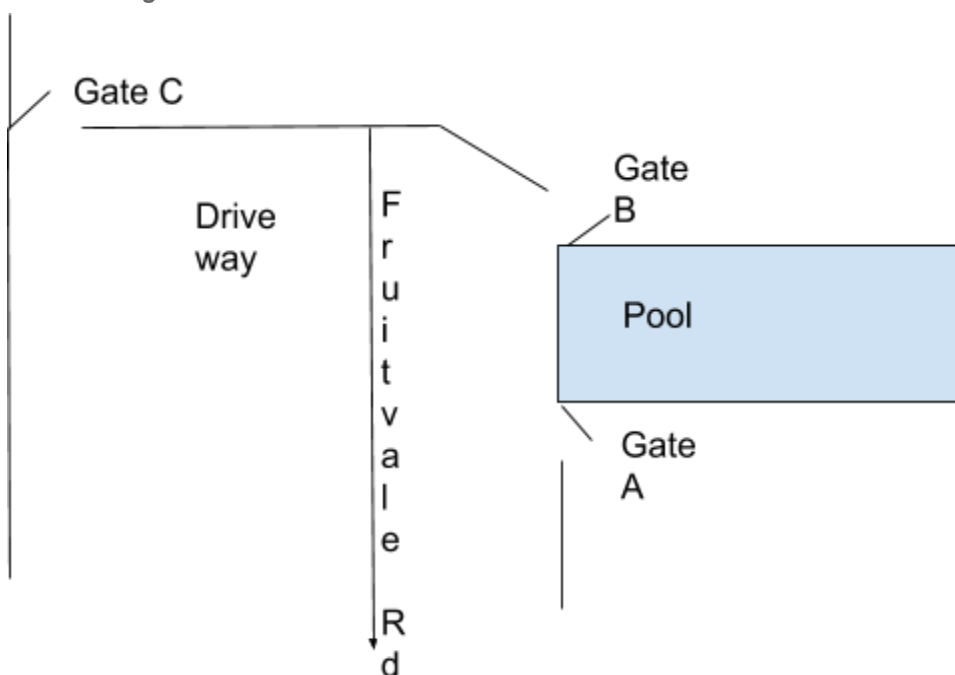
At the end of the day we will have all children at these gates by 2:45.

Gate A: Y1 and Y2

Gate B: Y3 and Y4

Gate C: Y5 and Y6

Family groups go with the oldest child to the gate of the youngest child. So Y6 brother picks up Y2 Sister and goes to Gate A.



3. The gates will be locked after 9am and reopened 2:50pm.
4. No adults apart from staff will be allowed on the school site. This is to ensure the safety of the children and staff.
5. Please make sure your child brings a water bottle. The water fountains cannot be guaranteed safe so will not be available for use. Please instruct your children not to share their drink bottle or lunch.
6. Hand sanitising will be done regularly. Sanitisers will be provided. Handwashing is acceptable.
7. The school uniform **does** need to be worn each day from now on.
8. There is both before and after school care. Anyone requiring before or after school care contact Carol at 02102498202. She will let you know the conditions the care will be working under.
9. The Tuckshop will be open (cashless transaction only) and we are wanting totally cashless payment. Please ring the office to set this up. 09 8272752
10. Children will be supplied with everything they need to work at school.
11. Please bring back all computers and hand to the class teacher or the office, if one has been lent to your child. Please clean them thoroughly if you have the correct cleaners at home.

The days at school will be initially structured to catch the children up with returning to the more formal school environment. We are looking at including those aspects that were a positive experience for the students while on COVID leave. Social distancing inside the school will conform with MOE guidelines. Thank-you for helping us keep Te Whanau o Fruitvale safe and in fact the whole of New Zealand safe, during this strangest of times.